

D300 / E300 VMX Systems



Key Feature

VMX is a new generation of digital video matrix systems designed for up to 3000 channels megapixel cameras display and operation. With effective bandwidth management, the VMX ensures the large video data traffic control and management could operate efficiently.

The users could access and dispatch any IP video from any NVRs to any CCTV wall monitors for live viewing or playback in the central control room.

- Dispatches any IP camera video to any CCTV wall monitor
- Constructs and dispatches video display patterns/tours directly to any monitor from any management station
- Displays live video or recorded video simultaneously on any monitor
- Offers intuitive graphical user interface to control large video network in a virtual matrix and synchronized local display on management station
- Efficiently manages network bandwidth for multiple IP video display in an enterprise environment
- New tag management system for easily browse large video network



D300 - HD Decoder

- High performance digital video decoder to display multiple megapixel video
- Video switching function for IP camera display on any CCTV wall monitor
- Designed for scalability by simple stacking up multiple D300 units
- Supports multiple channels of live video or playback video on the same monitor
- Dispatches the video alarms from NVRs to CCTV wall



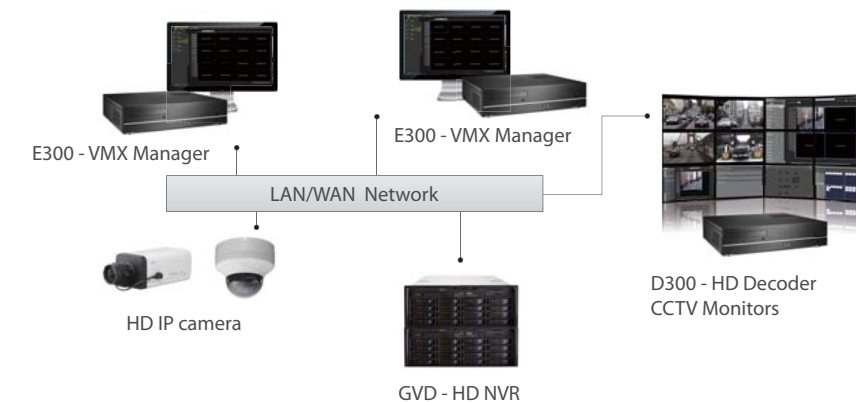
GVD - HD NVR

E300-VMX Manager

- Accesses and dispatches any IP video from any NVR to any monitor on CCTV Wall for live or playback
- Real time NVR alarm notification to all management stations
- Visual synchronization for camera switching from every operator desktop
- Priority-based operations for multi-operator environment
- Configured to easily control up to 3,000 cameras with multiple D300 devices
- Compatible to existing Joystick switching control for easy video access and management



VMX Systems Diagram





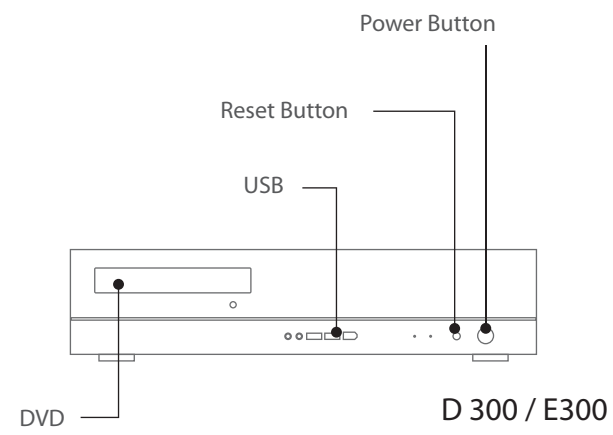
Vertical Market

Mission-critical operation center for large enterprise, casino, transportation and homeland security projects

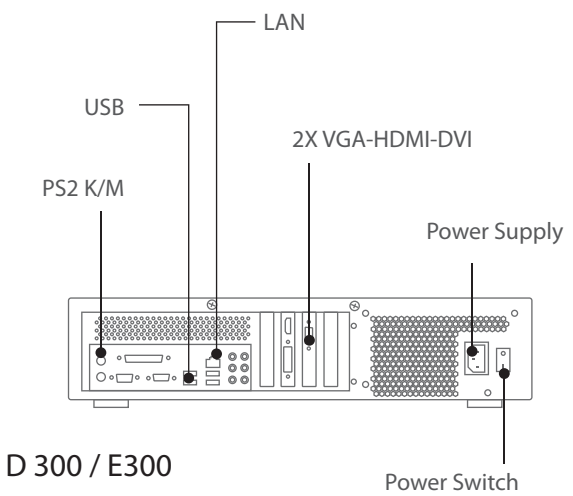
VMX System

Real-time remote management platform for display in large video network

Front Panel Layout



Rear Panel Layout



D300 / E300 Hardware Specification

Processor	Intel Core i7-2600 Sandy Bridge
Memory	4GB DDR3-1333
Operation System	Windows 7
Hard Disk Drive	250G, SATA2
Display Port (VGA-HDMI-DVI)	2
Display Resolution	D1, 1.3M~10M
LAN Port	Gigabit x 1
USB Port	Front x 2, Rear x 4
Dimensions (DxWxH) mm	427 x 432 x 160
Power Consumption	300W
Power Supply	500W
Voltage	100~240VAC(50~60Hz)

*All specifications are subject to change without notice

D300 / E 300

